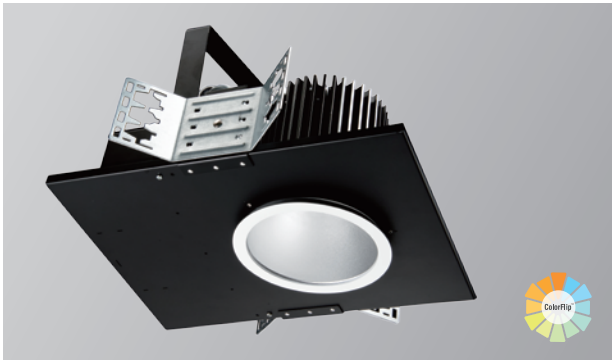


ADVANCED HIGH CEILING

6" REV New Construction Tunable White Version (ColorFlip™)



6-inch aperture high lumen recessed downlight with lumen output 3840 – 10500lm for new and retrofit applications.

- ColorFlip™

Utilize latest flip chip technology for optimum efficacy, delivering consistent high lumen output with 105LPW at CRI85+ when color tuning from 2700K to 6500K. Compatible to all 0-10V and DMX dimming controls.

Standard version available, please refer to Standard spec sheet for more details.



Quantity		Type	
Project		Note	

Delivered Lumens*

ColorFlip™	2700K	3000K	3500K	4000K	4500K	5000K	5700K	6500K	*Lumen Multiplier 40° 60° baseline 0.92
DMX CCT Signal (%)	0%	10%	25%	45%	60%	70%	85%	100%	
0-10V CCT Voltage	0	1	2.5	4.5	6	7	8.5	10	
100W	7555 lm	7980 lm	8415 lm	8841 lm	8771 lm	8692 lm	8613 lm	8544 lm	
80W	6165 lm	6512 lm	6867 lm	7214 lm	7157 lm	7093 lm	7093 lm	6972 lm	
60W	4306 lm	4549 lm	4797 lm	5039 lm	5000 lm	4955 lm	4909 lm	4870 lm	
40W	2992 lm	3160 lm	3332 lm	3501 lm	3473 lm	3442 lm	3411 lm	3383 lm	
CRI	85	86	87	88	88	87	86	85	

Electrical System

- 40W, 60W, 80W, 100W
- Power Input: 120V or 277V
- Operating Temperature: -40°F~112°F
- Surge Protection: 4KV
- Emergency Pack with Mounting Plate: Bodine BSL20LV

LED Technology

- ColorFlip™ (Tuning White: 2700K ↔ 6500K)
- 85+ CRI
- Beam Angle: 40°, 60°
- Rated Life > 60,000 hours (L70)

Advanced Dimming

(Proprietary VX Driver is incorporated to all dimming options for video flicker-free lighting)

- DMX: high resolution dims to 0.1% (Supports ANSI E1.20 RDM protocol)
- Superior 0-10V: dims to 1%

New Construction

- Non-IC Rated, insulation must kept > 1ft from housing.
- Aperture: 6.3" (160mm)
- Oversize Trim: 7.2" (183mm)
- Ceiling Cutout: 6.7" (170mm)
- Maximum Ceiling Thickness: 2" (50.8mm)
- Light engine, optics, and driver(s) accessible from below ceiling
- Weight: 13.22 lbs
- *Note: C-Channel / Mounting Channels / T-Bar Hangers are by others.

Warranty

- 5 years limited warranty.

ADVANCED HIGH CEILING

6" REV New Construction

Tunable White Version (ColorFlip™)



How To Specify:

Ordering Example: RS6N-100-TNW-120-SPV-40-BLK

4-5 weeks lead time on over 75% of specifications.

Model	Wattage	CCT / CRI	Voltage	Dimming
RS6N		TNW		
RS6N REV 6 inch with New Construction Frame	40 40W 60 60W 80 80W 100 100W	TNW 2700K - 6500K	120 120V 277 277V	SPV Superior 0-10V dims to 1% DMX DMX dims to 0.1% (XLR Sockets) DMX(RJ45) DMX dims to 0.1% (RJ45 Sockets)

Beam Angle	Finish	Accessories
40 40° 60 60°	BLK Black WHT White	SPD ¹ Surge Protector EMP Remote Emergency Pack DF ² Diffuser SCA610 Sloped Ceiling Adapter 8°-12° SCA615 Sloped Ceiling Adapter 13°-17° SCA620 Sloped Ceiling Adapter 18°-22° SCA625 Sloped Ceiling Adapter 23°-27°

¹ Surge protector for up to 10KV. Applicable for unstable mains or facilities using high power machineries.

² Please factor in change in lumen output with diffuser (-20% with DF).

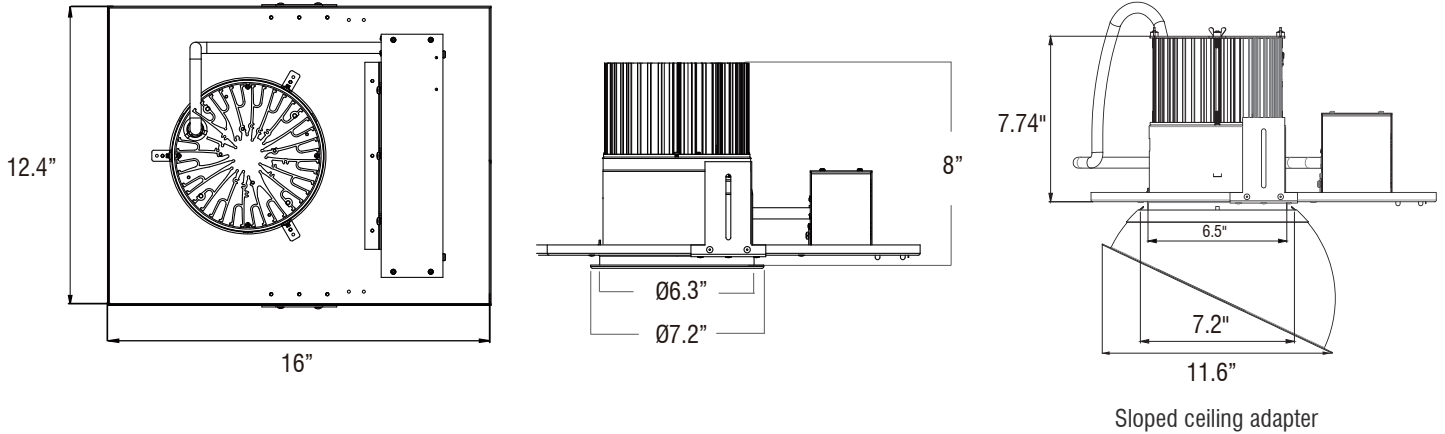
ADVANCED HIGH CEILING

6" REV New Construction

Tunable White Version (ColorFlip™)



Dimensions



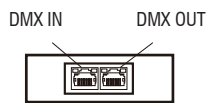
DMX Requirements*

Each 6" REV DMX unit has TWO CHANNELS per fixture (1 to control intensity, 1 to control color).
 Fixture will be controlled by DMX number controlling intensity.
 We do not recommend more than 15 fixtures per DMX daisy chain.
 When placing order, please indicate DMX address (refer to DMX Address example below).
 DMX address will be listed on the back of each fixture.

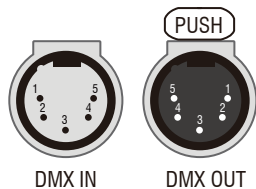
Fixture	DMX Address	
	Intensity Control (ex. X)	Color Control (ex. X+1)
#1	1	2
#2	3	4
#3	5	6

The LED fixture provide RJ45 Socket or XLR socket to connect. (DMX cable NOT included.)
 The final fixture should be terminated by the use of DMX Terminator (by others).

RJ45 Sockets



XLR Sockets



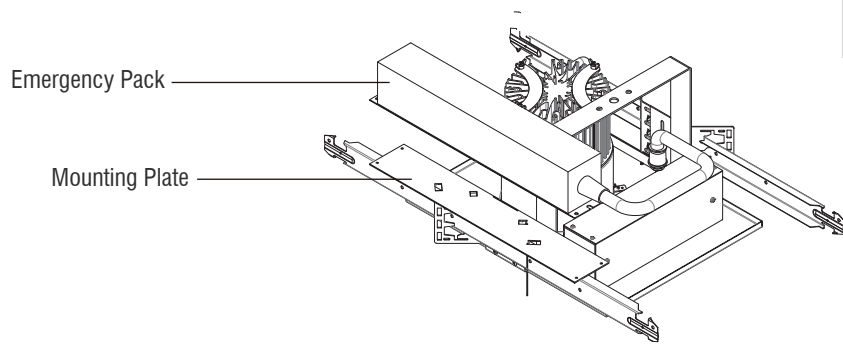
CONNECTION	RJ45 (CAT5e)	5-PIN XLR
Common	WHITE/BROWN(PIN7) & BROWN(PIN 8)	PIN 1
Signal -	ORANGE(PIN 2)	PIN 2
Signal+	WHITE/ORANGE(PIN 1)	PIN 3
Spare	-	PIN 4
Spare	-	PIN 5

ADVANCED HIGH CEILING

6" REV New Construction Tunable White Version (ColorFlip™)



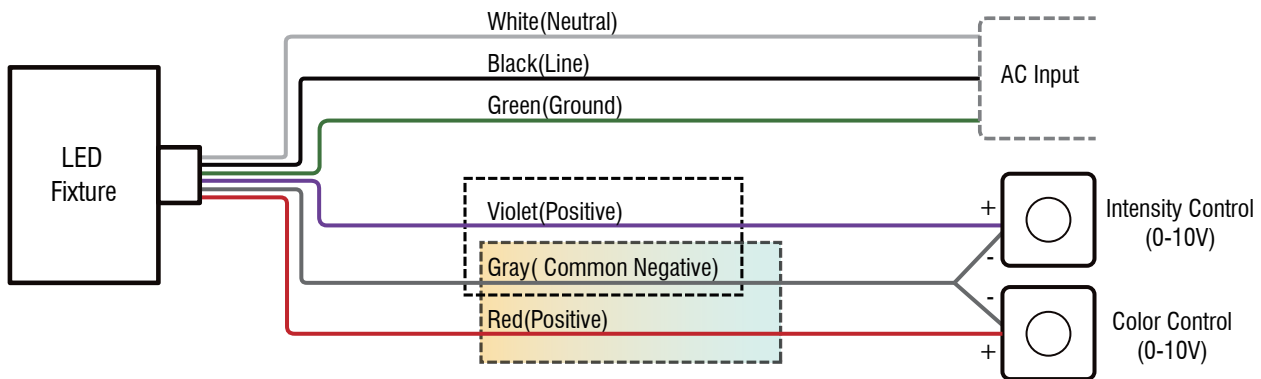
Mounting Plate for Emergency Pack



Emergency Pack Lumen Output Table

CCT	6500K
Lumen	2000 lm

Superior 0-10V Wiring Diagram



DMX Wiring Diagram

